



Vinylcloth



Decorama Blinds Pty Ltd

290 Peel Street TAMWORTH NSW 2340

ABN 85 001 020 239

Phone 1300 565 414 blinds@decorama.com.au

<http://www.decorama.com.au/>



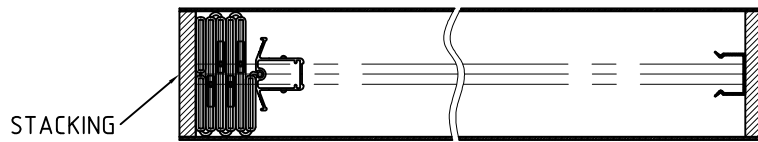
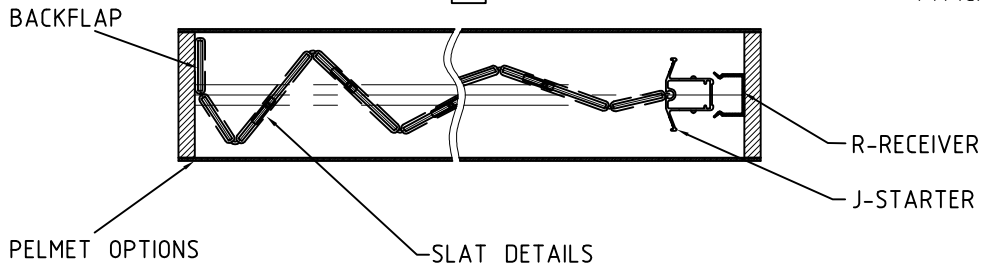
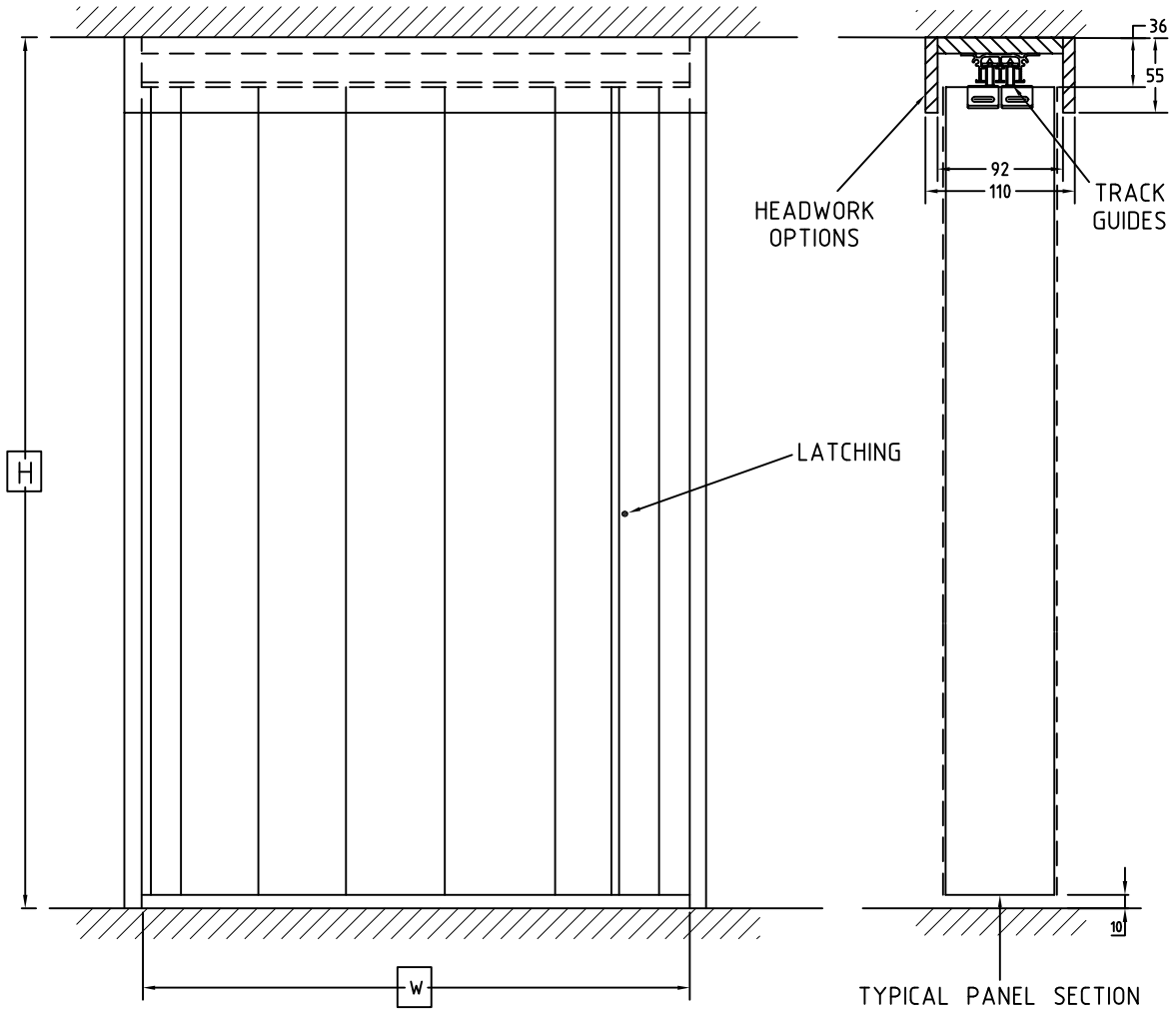
Index of Vinylcloth

Drawing Number	DESCRIPTION
	Exploded View of Vinylcloth - Colour
FV-0601	Door Assembly
FV-0602	Headwork Option - Surface Mounted Track
FV-0603	Plan Views Sheet 1 of 2
FV-0604	Plan Views Sheet 2 of 2
FV-0605	Commercial Keylock
	Exploded View of Vinylcloth - Monochrome

glas-STAX

operable walls

folding doors



REV	REVISION REMARKS	DATE

TITLE: **DOOR ASSEMBLY**

PRODUCT: **FOLDING DOORS**

DRAWING NUMBER: **FV-0601**

SEQUENCE NUMBER: **1**

LOTUS
www.lotusdoors.com.au

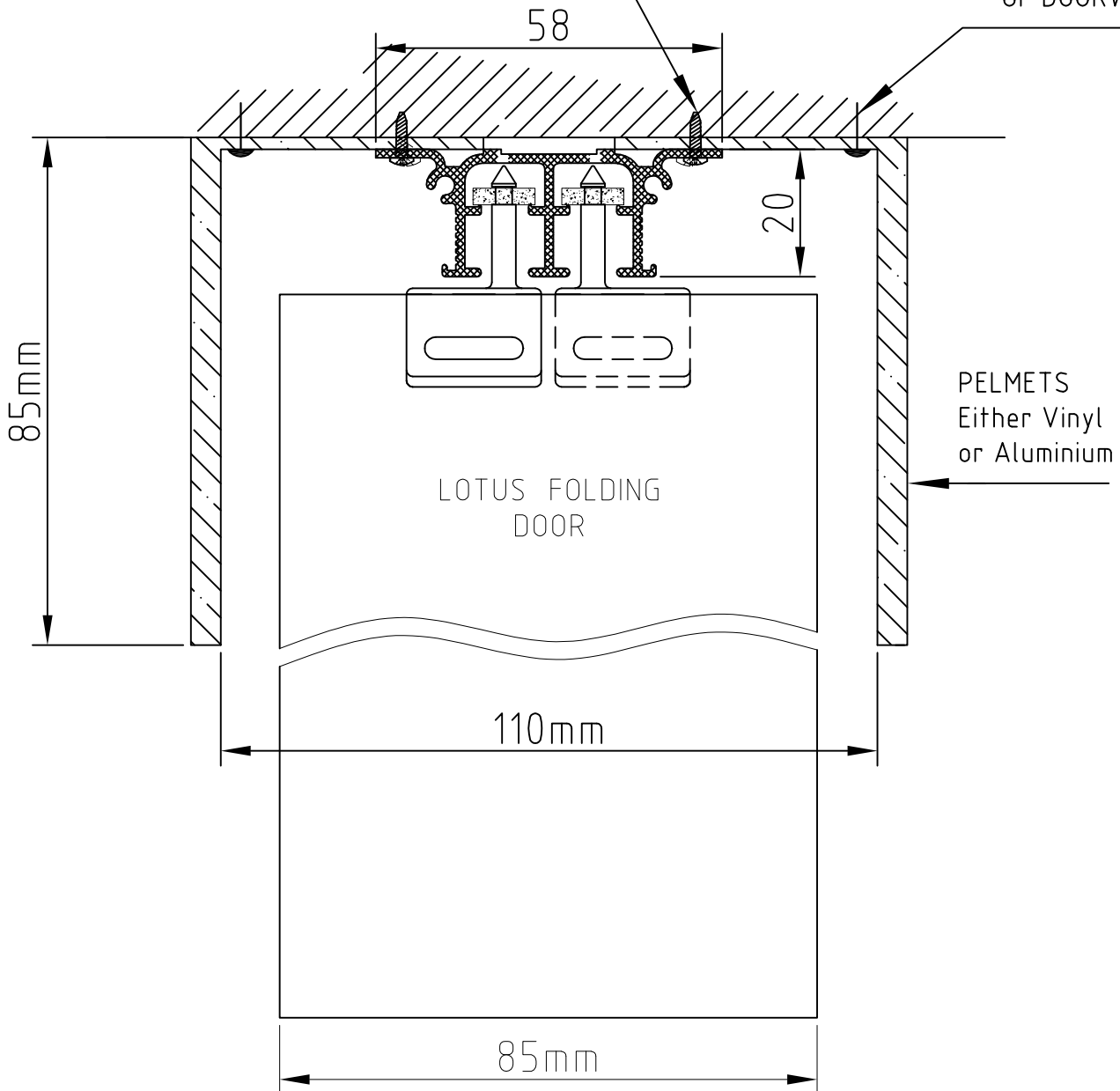
glas-STAX

operable walls

folding doors

METAL SCREWS 8gx $\frac{3}{4}$ " zp phi drive
(2) ROWS EVERY 300mm

USE PINS TO
FIX PELMETS
TO UNDERSIDE
OF DOORWAY



REV	REVISION REMARKS	DATE

TITLE:
HEADWORK OPTION - Surface Mounted track

PRODUCT: **FOLDING DOORS**

DRAWING NUMBER:
FV-0602

SEQUENCE NUMBER:
2

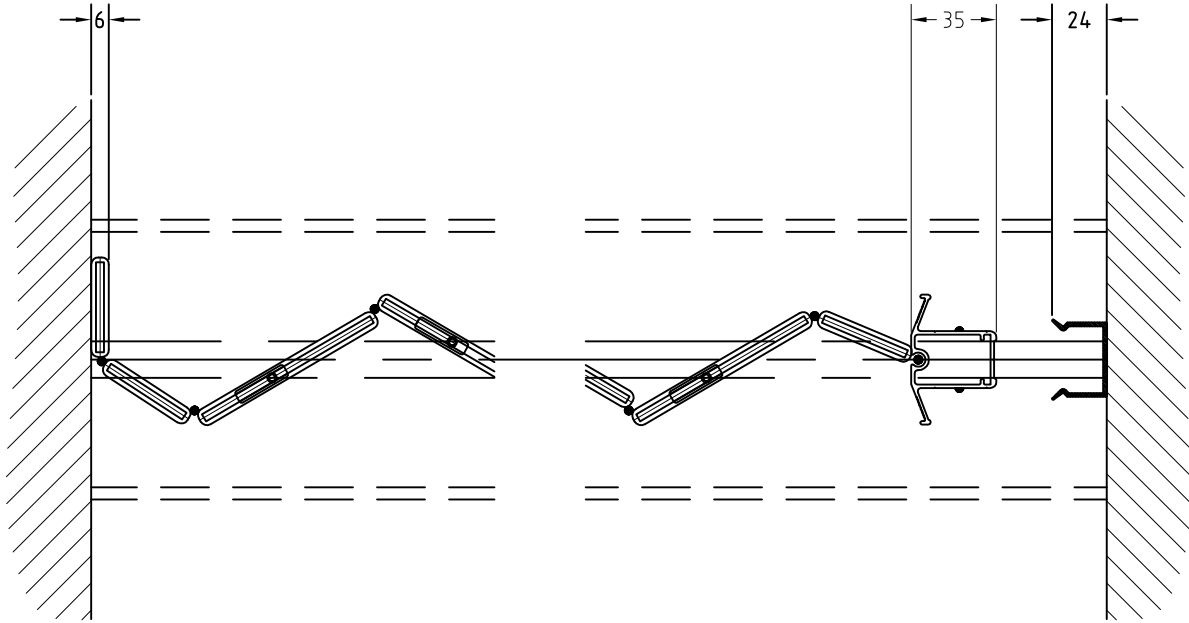
LOTUS
www.lotusdoors.com.au



glas-STAX

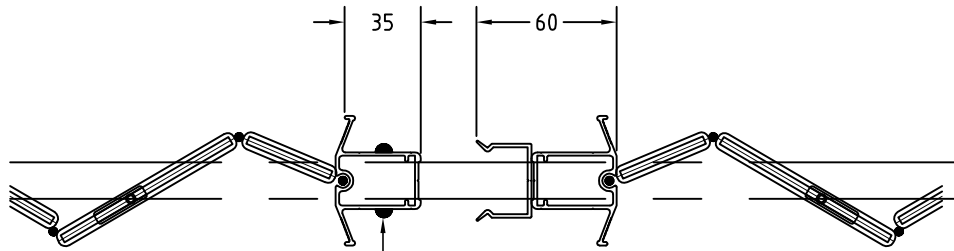
operable walls

folding doors



REAR JAMB

CLOSING JAMB



STANDARD PRESS CLOSER

BIPARTING PAIR - CLOSING JAMBS

A	Dimension change	07-02-11
REV	REVISION REMARKS	DATE

TITLE: PLAN VIEWS - SHEET 2 OF 2

PRODUCT: FOLDING DOORS

DRAWING NUMBER: FV-0604

SEQUENCE NUMBER: 4

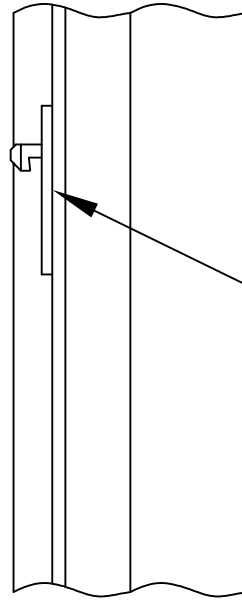
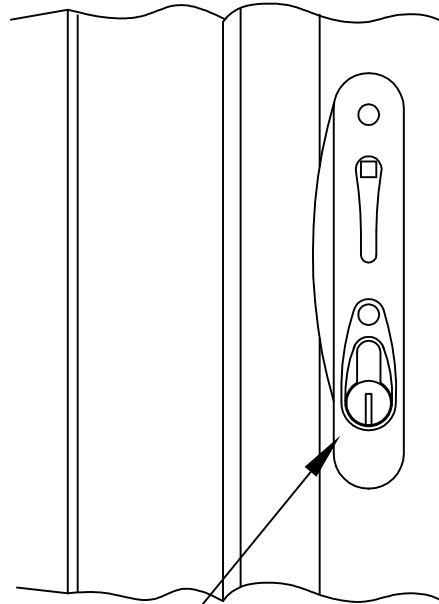
LOTUS
www.lotusdoors.com.au



glas-STAX

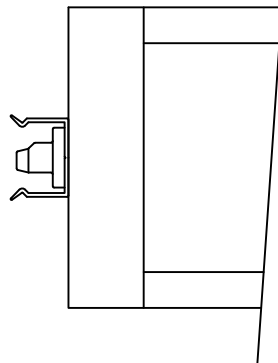
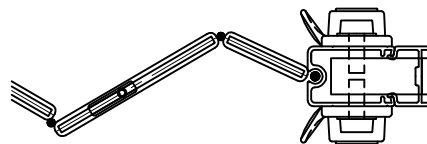
operable walls

folding doors



KEEPER CONTAINED WITHIN JAMB

OPTIONAL KEYLOCK



REV	REVISION REMARKS	DATE
A	Text change	07-02-11

TITLE: COMMERCIAL KEYLOCK

PRODUCT: FOLDING DOORS

DRAWING NUMBER: FV-0605

SEQUENCE NUMBER: 5

LOTUS
www.lotusdoors.com.au

