



Acoustic Accordion



Decorama Blinds Pty Ltd

290 Peel Street TAMWORTH NSW 2340

ABN 85 001 020 239

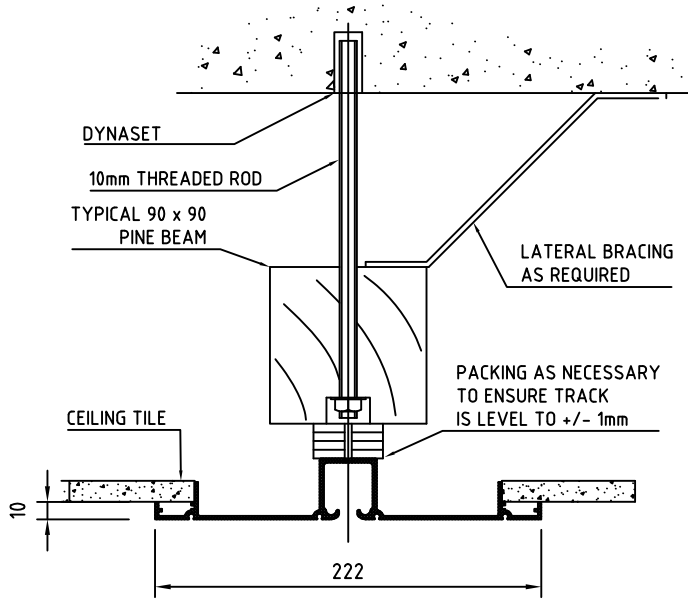
Phone 1300 565 414 blinds@decorama.com.au

<http://www.decorama.com.au/>



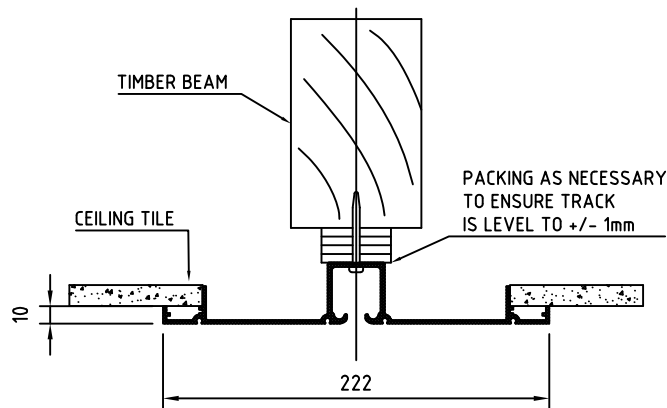
Index of Acoustic Accordion

Drawing Number	DESCRIPTION
FA-0101	Headwork Option
FA-0102	Plan Views - Sheet 1 of 2
FA-0103	Plan Views - Sheet 2 of 2
FA-0104	Latching
FA-0105	Typical Panel Section



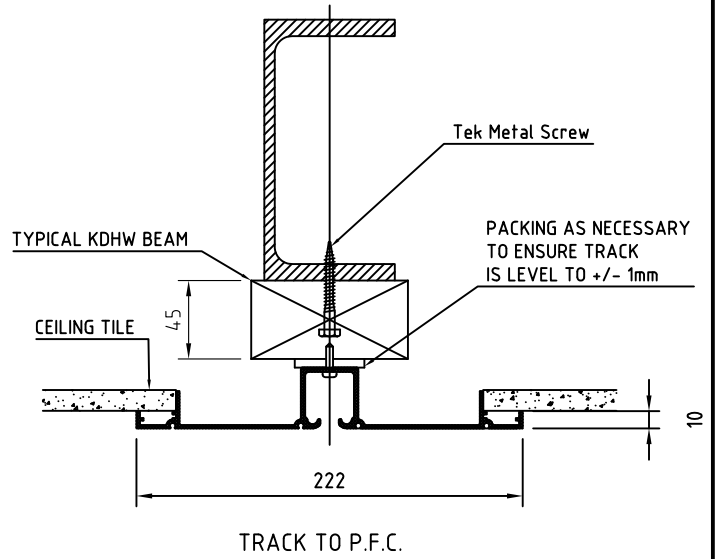
TRACK TO TIMBER FROM CONCRETE

FOR USE IN SUSPENDED CEILINGS
FIXING TO STEEL BEAMS ABOVE
OR ANCHORED INTO CONCRETE ABOVE

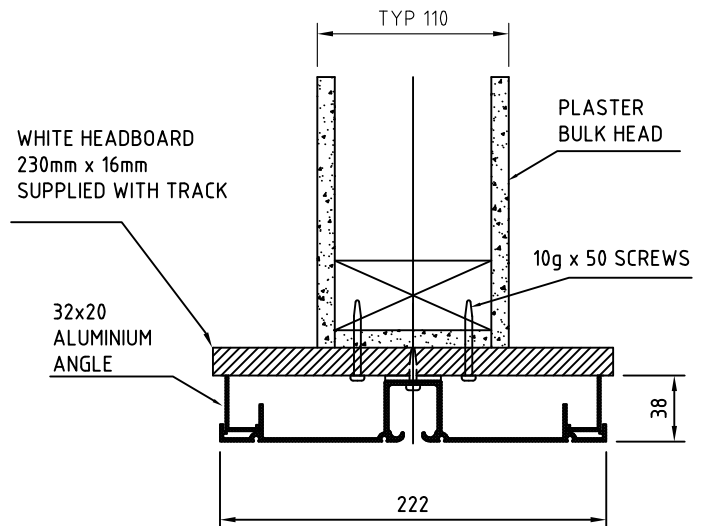


TRACK DIRECT TO TIMBER

WHERE ACCESS ABOVE CEILING IS
DIFFICULT, SUITABLE BEAM MAY BE
SUPPORTED AT EACH END BY SUITABLE
KD HARDWOOD SECTION
(MAXIMUM DEFLECTION 5mm UNDER LOAD)



TRACK TO P.F.C.



SURFACE MOUNTED TRACK

TYPICAL HEADWORK TRACK FIXINGS

- 4.5 X 50 CSK SCREW INTO WHITE HEADBOARD AND INTO OVERHEAD SUPPORT.
- 10G X 50 PAN HEAD INTO TRACK AND OVERHEAD SUPPORT. HOLES ARE FOR PAN HEAD SCREWS ARE PRE-DRILLED.

A	Headboard text to read MDF	07-02-11
REV	REVISION REMARKS	DATE

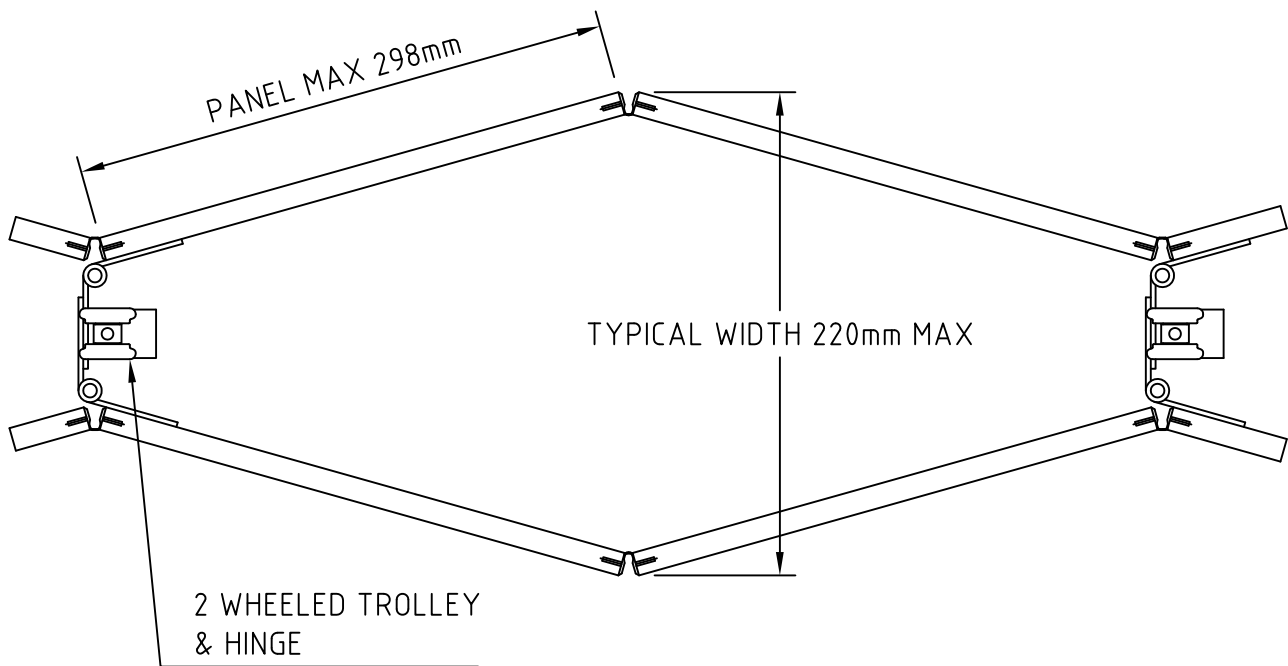
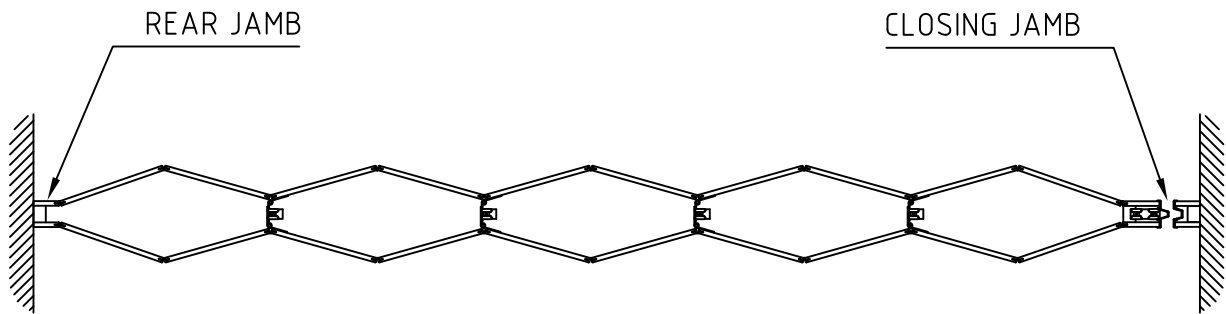
TITLE: **HEADWORK OPTION**

PRODUCT: **TIMBERLINE ACCORDION**

DRAWING NUMBER: **FA-0101**

SEQUENCE NUMBER: **1**





TYPICAL MODULE

REV	REVISION REMARKS	DATE

TITLE: PLAN VIEWS - SHEET 1 OF 2

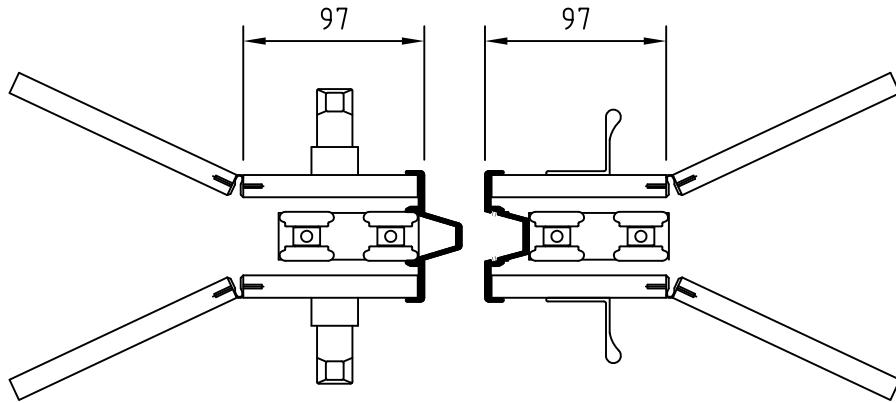
PRODUCT: TIMBERLINE ACCORDION

DRAWING NUMBER: FA-0102

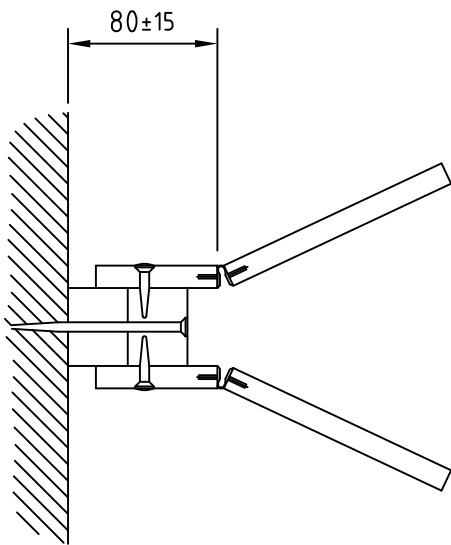
SEQUENCE NUMBER: 2

LOTUS

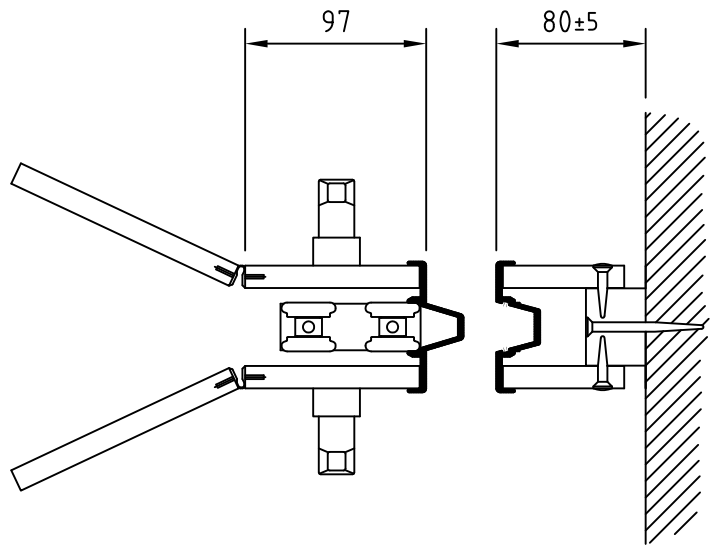
www.lotusdoors.com.au



BIPARTING PAIR - CLOSING JAMBS



REAR JAMB



CLOSING JAMB

A	Included correct handle	08-02-11
REV	REVISION REMARKS	DATE

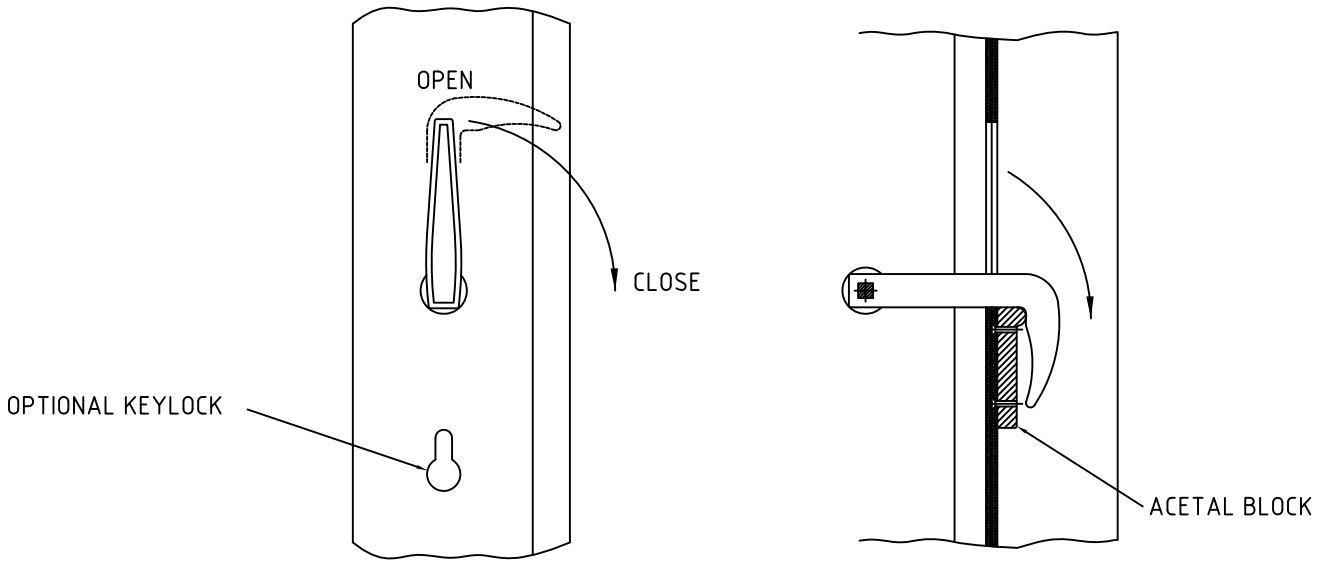
TITLE: PLAN VIEW - SHEET 2 OF 2

PRODUCT: TIMBERLINE ACCORDION

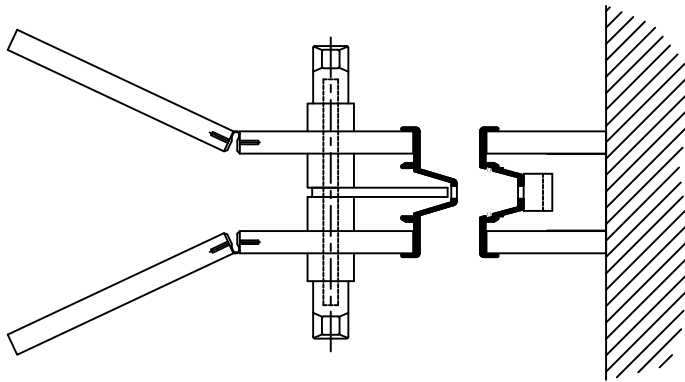
DRAWING NUMBER: FA-0103

SEQUENCE NUMBER: 3

LOTUS
www.lotusdoors.com.au



SECTION SHOWING DRAWTIGHT OPERATION



REV	REVISION REMARKS	DATE

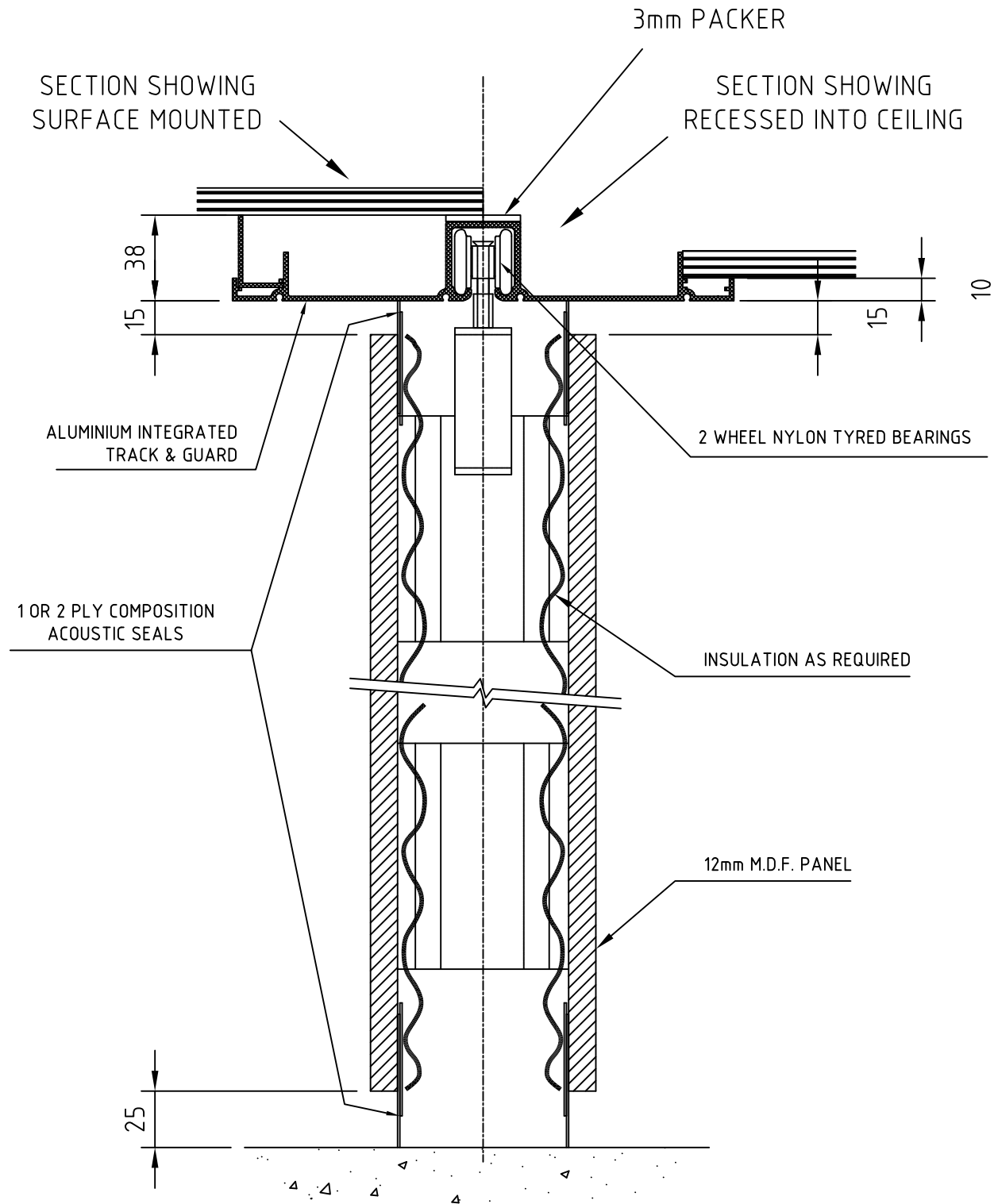
LOTUS
www.lotusdoors.com.au

TITLE: **LATCHING**

PRODUCT: **TIMBERLINE ACCORDION**

DRAWING NUMBER: **FA-0104**

SEQUENCE NUMBER: **4**



REV	REVISION REMARKS	DATE

TITLE: **TYPICAL PANEL SECTION**

PRODUCT: **TIMBERLINE ACCORDION**

DRAWING NUMBER: **FA-0105**

SEQUENCE NUMBER: **5**

LOTUS
www.lotusdoors.com.au